

UDTT-65/80 DYNAMIC TUMBLE DRYERS



TOUCH II

User friendly and totally programmable Touch II
USB Connection. PC software free of charge for programming, traceability, data analysis...
Videos on display (ads, instructions, etc.)
37 languages



OUTSTANDING FEATURES

Reversing drum action as standard
Stainless steel drum as standard
Frequency inverter as standard



EFFICIENCY

DUAL AIRFLOW - mixed axial-radial airflow
Extra Large Stainless Steel Lint Filter



VERSATILITY

Make to order - customization
WET CLEANING
OPL > Multivending - Standard OPL model easily transformable to coin laundry and viceversa



CONNECTIVITY

Remote technical service
Management of laundries: OPL and COIN
Remote payment



ERGONOMICS

Accessible Lint Drawer filter, made of stainless steel
Largest door diameters
Opening sense of door adjustable on site



MAINTENANCE

Hinged Front Panel: easy and ergonomic access
Technical menu: statistics, alarm, autotest, data recovery for technicians and maintenance with M console

OTHERS

Grey skinplate outer casing, stainless steel look
Transmission by direct drive
SOFT DRY - new drum with stamped holes
COOL DOWN - anti-wrinkle at the end of the cycle
Heating options: electric, gas and steam
CE and ETL approved

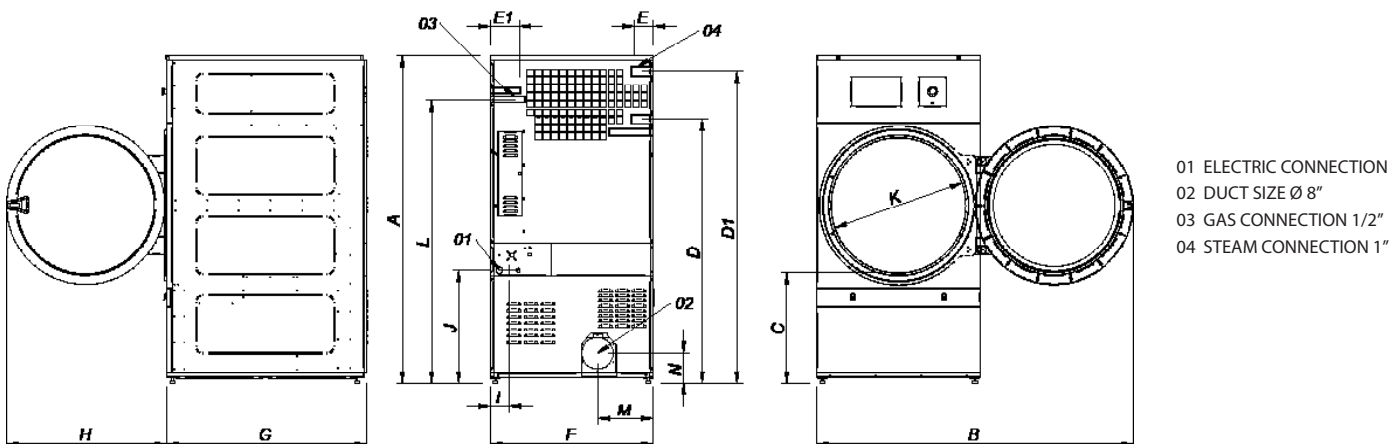


OPTIONS

- EFFICIENT DRY - Intelligent humidity control with new drum inlet temperature control
- Double pane door glass
- Reverse door opening
- SFEX - Integrated Fire Extinguishing System
- New dosing/vaporizing system
- Printer
- DomusConnect communication kit
- Stainless steel AISI 304 outer casing
- Stainless steel AISI 304 front panel
- Stainless steam battery
- Low pressure steam battery
- Wooden packing
- Exhaust silencer Ø 8"
- Rear panel external air + filter
- Ship voltage for electric models: 440V III 50/60 Hz No neutral

TECHNICAL DATA	UNIT.	UDTT - 65	UDTT - 80		
CAPACITY					
Capacity 1/18	lb	70	80		
Capacity 1/20	lb	60	75		
Hourly Output *	lb/h	59,3	138 / 9		
Evaporation capacity *	l/h	30,9	32,1		
DRUM					
Ø Drum	in	37.25	37.25		
Ø Door	in	31.50	31.50		
Door center height	in	41	41		
Load hole bottom height	in	64.50	64.50		
Drum length	in	30.75	36.85		
Drum volume	CØFt	19	23		
POWER					
Drum motor power	HP	0,75	0,75		
Fan motor power	HP	0,75	0,75		
Electric heating power	Kw	30	36		
Total electric power (elec.model)	Kw	31,15	37,15		
Gas heating power	BTU	140,000	140,000		
Total electric power (gas model)	Kw	1,15	1,15		
Steam heating power	kw	50,1	50,1		
Steam heating power (gas model)	kw	1,15	1,15		
CONNECTIONS		ELECTRICAL	STEAM / GAS	ELECTRICAL	STEAM / GAS
Tension 120 V - I / 230V - I + N + T	Nº x mm2 / A	-	3 x 1,5 / 20A	-	3 x 1,5 / 20A
Tension 230V - III + T	Nº x mm2 / A	4 x 35 / 100A	3 x 1,5 / 20A	4 x 50 / 125A	3 x 1,5 / 20A
Tension 400V - III + N + T	Nº x mm2 / A	5 x 16 / 63A	3 x 1,5 / 20A	5 x 16 / 63A	3 x 1,5 / 20A
Ø Gas inlet	BSP	1/2"		1/2"	
Ø Steam inlet	BSP	1"		1"	
Ø Condensed (Steam models)	BSP	1"		1"	
DIMENSIONS / PACKING DIMENSIONS					
Net Width / Gross Width	in	38.75 / 42		38.75 / 42	
Net Depth / Gross Depth	in	41.50 / 45.50		47.60 / 51.60	
Net Height / Gross Height	in	76.60 / 82		76.60 / 82	
Height without heating battery	in	-		-	
Net weight / Gross weight	lb	507 / 573		573 / 628	
OTHERS					
Max airflow	CFM	706		706	
Ø Duct Size	in	8		8	
Sound level	dB	65		65	

* It may vary depending on the type of heating, filter cleanliness or extraction type.



	A	B	C	D	D1	E	E1	F	G	H	I	J	K	L	M	N
UDTT-65	76.60	75	25	62.60	74	4.50	6.85	38.75	41.50	37.75	4.30	26.75	31.60	67.25	13.35	7
UDTT-80	76.60	75	25	62.60	74	4.50	6.85	38.75	47.60	37.75	4.30	26.75	31.60	67.25	13.35	7