

## UDTT-25/35/50 DYNAMIC TUMBLE DRYERS



### TOUCH II

User friendly and totally programmable  
Touch II  
USB Connection. PC software free of charge for programming, traceability, data analysis...  
Videos on display (ads, instructions, etc.)  
37 languages



### OUTSTANDING FEATURES

Reversing drum action as standard  
Stainless steel drum as standard  
Frequency inverter as standard



### EFFICIENCY

DUAL AIRFLOW - mixed axial-radial airflow  
Extra Large Stainless Steel Lint Filter



### VERSATILITY

Make to order - customization  
WET CLEANING  
OPL > Multivending - Standard OPL model easily transformable to coin laundry and viceversa



### CONNECTIVITY

Remote technical service  
Management of laundries: OPL and COIN  
Remote payment



### ERGONOMICS

Accessible Lint Drawer filter, made of stainless steel  
Largest door diameters  
Opening sense of door adjustable on site



### MAINTENANCE

Hinged Front Panel: easy and ergonomic access  
Technical menu: statistics, alarm, autotest, data recovery for technicians and maintenance with M console



### OTHERS

Grey skinplate outer casing, stainless steel look  
Transmission by direct drive  
SOFT DRY - new drum with stamped holes  
COOL DOWN - anti-wrinkle at the end of the cycle  
Heating options: electric, gas and steam  
CE and ETL approved

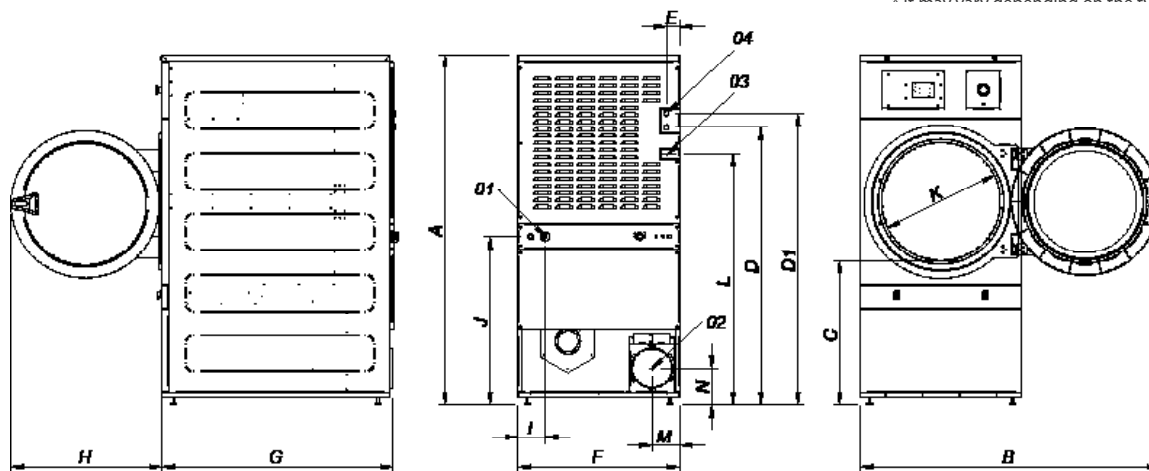


### OPTIONS

- EFFICIENT DRY - Intelligent humidity control with new drum inlet temperature control
- Double pane door glass
- Reverse door opening
- SFEX - Integrated Fire Extinguishing System
- New dosing/vaporizing system
- Printer
- DomusConnect communication kit
- Stainless steel AISI 304 outer casing
- Stainless steel AISI 304 front panel
- Stainless steam battery
- Low pressure steam battery
- Wooden packing
- Exhaust silencer Ø 8"
- Rear panel external air + filter
- Ship voltage for electric models: 440V III 50/60 Hz No neutral

| TECHNICAL DATA                         | UNIT.        | UDTT - 25    | UDTT - 35     | UDTT - 50    |               |              |               |
|--|--------------|--------------|---------------|--------------|---------------|--------------|---------------|
| <b>CAPACITY</b>                        |              |              |               |              |               |              |               |
| Capacity 1/18                          | lb           | 26           | 40            | 60           |               |              |               |
| Capacity 1/20                          | lb           | 25           | 35            | 50           |               |              |               |
| Hourly Output *                        | lb/h         | 62/ 6        | 68 / 9        | 88 / 6       |               |              |               |
| Evaporation Capacity *                 | l/h          | 14,5         | 16,3          | 20,4         |               |              |               |
| <b>DRUM</b>                            |              |              |               |              |               |              |               |
| Ø Drum                                 | in           | 29.50        | 29.50         | 33           |               |              |               |
| Ø Door                                 | in           | 22.50        | 22.50         | 22.50        |               |              |               |
| Door Center Height                     | in           | 38.50        | 38.50         | 40.50        |               |              |               |
| Door Bottom Height                     | in           | 27           | 27            | 29.25        |               |              |               |
| Drum Depth                             | in           | 18.70        | 29.30         | 31.50        |               |              |               |
| Drum Volume                            | CuFt         | 7            | 12            | 17           |               |              |               |
| <b>POWER</b>                           |              |              |               |              |               |              |               |
| Drum motor power                       | HP           | 1            | 1             | 1            |               |              |               |
| Fan motor power                        | HP           | 0.33         | 0.33          | 0,75         |               |              |               |
| Electric heating power                 | kw           | 16           | 24            | 32           |               |              |               |
| Total electric power (elec.model)      | kw           | 16.99        | 25.03         | 33.48        |               |              |               |
| Gas heating power                      | BTU          | 70,000       | 70,000        | 105,000      |               |              |               |
| Total electric power (gas model)       | kw           | 0.89         | 0.89          | 1.3          |               |              |               |
| Steam heating power                    | kw           | 40           | 40            | 66           |               |              |               |
| Steam heating power (gas model)        | kw           | 0.89         | 0.89          | 1.3          |               |              |               |
| <b>CONNECTIONS</b>                     |              |              |               |              |               |              |               |
|  |              | ELECTRICAL   | STEAM / GAS   | ELECTRICAL   | STEAM / GAS   | ELECTRICAL   | STEAM / GAS   |
| Tension 120 V - I / 230V - I + N + T   | Nº x mm2 / A | 3 x 35 / 63A | 3 x 1,5 / 20A | -            | 3 x 1,5 / 20A | -            | 3 x 1,5 / 20A |
| Tension 230V - III + T                 | Nº x mm2 / A | 4 x 10 / 40A | 3 x 1,5 / 20A | 4 x 16 / 63A | 3 x 1,5 / 20A | 4 x 25 / 80A | 3 x 1,5 / 20A |
| Tension 400V - III + N + T             | Nº x mm2 / A | 5 x 4 / 25A  | 3 x 1,5 / 20A | 5 x 10 / 32A | 3 x 1,5 / 20A | 5 x 10 / 40A | 3 x 1,5 / 20A |
| Ø Gas inlet                            | BSP          | 1/2"         |               | 1/2"         |               | 1/2"         |               |
| Ø Steam inlet                          | BSP          | 3/4"         |               | 3/4"         |               | 1"           |               |
| Ø Condensed (Steam models)             | BSP          | 3/4"         |               | 3/4"         |               | 1"           |               |
| <b>DIMENSIONS / PACKING DIMENSIONS</b> |              |              |               |              |               |              |               |
| Net Width / Gross Width                | in           | 31 / 34      |               | 31 / 34      |               | 35 / 38      |               |
| Net Depth / Gross Depth                | in           | 33 / 37      |               | 44 / 48      |               | 49 / 53      |               |
| Net Height / Gross Height              | in           | 67 / 73      |               | 67 / 73      |               | 71 / 76      |               |
| Height without heating battery         | in           | -            |               | -            |               | -            |               |
| Net weight / Gross weight              | lb           | 379 / 396    |               | 412 / 440    |               | 462 / 485    |               |
| <b>OTHERS</b>                          |              |              |               |              |               |              |               |
| Max airflow                            | CFM          | 500          |               | 500          |               | 706          |               |
| Ø Duct Size                            | in           | 8            |               | 8            |               | 8            |               |
| Sound level                            | dB           | 64           |               | 64           |               | 65           |               |

\*It may vary depending on the type of heating, filter cleanliness or extraction type.



- 01 ELECTRIC CONNECTION
- 02 DUCT SIZE Ø 8"
- 03 GAS CONNECTION 1/2"
- 04 STEAM CONNECTION 3/4"

|         | A  | B  | C     | D     | D1    | E    | F  | G     | H  | I    | J  | K  | L     | M    | N |
|---------|----|----|-------|-------|-------|------|----|-------|----|------|----|----|-------|------|---|
| UDTT-25 | 67 | 57 | 27    | 54    | 56    | 3    | 31 | 34    | 29 | 3.75 | 33 | 23 | 48.25 | 5.25 | 7 |
| UDTT-35 | 67 | 57 | 27    | 54    | 56    | 3    | 31 | 44.25 | 29 | 3.75 | 33 | 23 | 48.25 | 5.25 | 7 |
| UDTT-50 | 71 | 61 | 29.25 | 56.25 | 60.25 | 4.50 | 35 | 49.50 | 29 | 8    | 34 | 23 | 53    | 5.25 | 7 |