

## UDLM-25/35/50 ESSENTIAL TUMBLE DRYERS



### M PROGRAMMER

New M programmer: push buttons to control temperature and time



### OUTSTANDING FEATURES

Reversing drum action as standard  
Frequency inverter as standard  
Galvanized drum as standard



### EFFICIENCY

FULL FLOW - New 'optimized' system of airflow  
Extra Large Steel Lint Filter



### VERSATILITY

Make to order - customization  
OPL > VENDED - Standard OPL model easily transformable to coin laundry and viceversa



### ERGONOMICS

Drawer as fluff filter, made of stainless steel  
Biggest door diameters  
Opening sense of door adjustable on site



### MAINTENANCE

Hinged Front Panel: easy and ergonomic access  
Technical menu: statistics, alarm, autotest, data recovery for technicians and maintenance with M console



### OTHERS

White painted panels  
Transmission by direct drive  
COOL DOWN - anti-wrinkle at the end of the cycle  
Heating options: electric, gas and steam  
CE and ETL approved

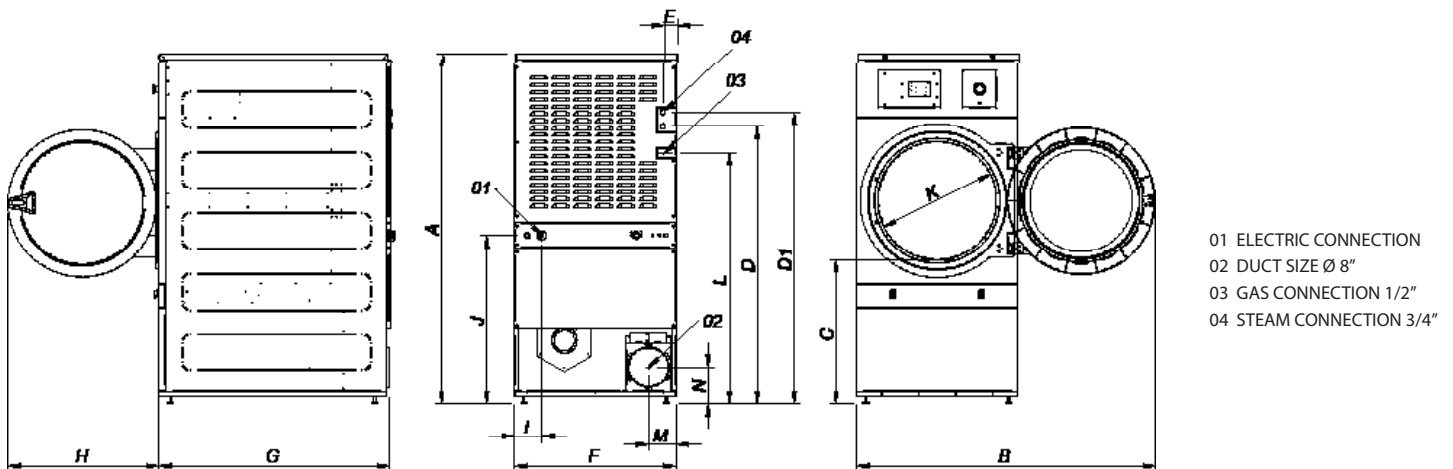


### OPTIONS

- M Control programming console
- New M Control with display
- Wooden packing
- Exhaust Ø 8"
- Ship voltage for electric models: 440V III 50/60 Hz No neutral

TECHNICAL DATA	UNIT.	UDLM-25 ESSENTIAL	UDLM-35 ESSENTIAL	UDLM-50 ESSENTIAL			
<b>CAPACITY</b>							
Capacity 1/18	lb	26	40	60			
Capacity 1/20	lb	25	35	50			
Hourly Output*	lb/h	62 / 6	68 / 9	88 / 6			
Evaporation Capacity*	l/h	14,5	16,3	20,4			
<b>DRUM</b>							
Ø Drum	in	29.50	29.50	33			
Ø Door	in	22.50	22.50	22.50			
Door Center Height	in	38.50	38.50	40.50			
Door Bottom Height	in	27	27	29.25			
Drum Depth	in	18.70	29.30	31.50			
Drum Volume	CuFt	7	12	17			
<b>POWER</b>							
Drum motor power	HP	1	1	1			
Fan motor power	HP	0.33	0.33	0,75			
Electric heating power	kw	16	24	32			
Total electric power (elec.model)	kw	16.99	25.03	33.48			
Gas heating power	BTU	70,000	70,000	105,000			
Total electric power (gas model)	kw	0.89	0.89	1.3			
Steam heating power	kw	40	40	66			
Steam heating power (gas model)	kw	0.89	0,89	1.3			
<b>CONNECTIONS</b>		<b>ELECTRICAL</b>	<b>STEAM / GAS</b>	<b>ELECTRICAL</b>	<b>STEAM / GAS</b>	<b>ELECTRICAL</b>	<b>STEAM / GAS</b>
Tension 120V - 230V - I + N + T	N° x mm2 / A	3 x 35 / 63A	3 x 1,5 / 20A	-	3 x 1,5 / 20A	-	3 x 1,5 / 20A
Tension 230V - III + T	N° x mm2 / A	4 x 10 / 40A	3 x 1,5 / 20A	4 x 16 / 63A	3 x 1,5 / 20A	4 x 25 / 80A	3 x 1,5 / 20A
Tension 400V - III + N + T	N° x mm2 / A	5 x 4 / 25A	3 x 1,5 / 20A	5 x 10 / 32A	3 x 1,5 / 20A	5 x 10 / 40A	3 x 1,5 / 20A
Ø Gas inlet	BSP		1/2"		1/2"		1/2"
Ø Steam inlet	BSP		3/4"		3/4"		1"
Ø Condensed (Steam models)	BSP		3/4"		3/4"		1"
<b>DIMENSIONS / PACKING DIMENSIONS</b>							
Net Width / Gross Width	in	31 / 34		31 / 34		35 / 38	
Net Depth / Gross Depth	in	33 / 37		44 / 48		49 / 53	
Net Height / Gross Height	in	67 / 73		67 / 73		71 / 76	
Height without heating battery	in	-		-		-	
Net weight / Gross weight	lb	379 / 396		412 / 440		462 / 485	
<b>OTHERS</b>							
Max airflow	CFM	500		500		706	
Ø Duct Size	in	8		8		8	
Sound level	dB	64		64		65	

\* It may vary depending on the type of heating, filter cleanliness or extraction type.



	A	B	C	D	D1	E	F	G	H	I	J	K	L	M	N
UDLM-25 ESSENTIAL	67	57	27	54	56	3	31	34	29	3.75	33	23	48.25	5.25	7
UDLM-35 ESSENTIAL	67	57	27	54	56	3	31	44.25	29	3.75	33	23	48.25	5.25	7
UDLM-50 ESSENTIAL	71	61	29.25	56.25	60.25	4.50	35	49.50	29	8	34	23	53	5.25	7