

DHU-25/30/40 TOUCH II HIGH SPIN WASHER EXTRACTORS



TOUCH II

User friendly and totally programmable 7" Touch II
USB Connection. PC software free of charge for
programming, traceability, data analysis...
Videos on display (ads, instructions)
37 languages
8 dosing signals as standard



G FACTOR

High G-Factor:
G-FACTOR 450 for high spin washers



EFFICIENCY

Intelligent consumption
Optimal loading
Water Recovery tanks ready: ECOTANK
Low water consumption



VERSATILITY

Make to order: customization
OPL < > COIN
Electric < > Hot water
Drain valve < > Pump
Wet cleaning features



CONNECTIVITY

Remote technical service
Management of laundries: OPL and COIN
Remote payment



ERGONOMICS

Biggest door diameters: Ø 14" (for DHU-25/30) and
Ø 18" (for DHU-40)
Easy opening/closing system for door lock



MAINTENANCE

Hinged panel: easy access to parts
Equivalent parts for all models: contactors,
electronic devices, gear
Technical menu: traceability, error diagnosis



OTHERS

Grey skinplate outer casing
Drum and tub in stainless steel AISI 304
Detergent dispenser with 4 compartments
Electronic control of imbalance with frequency
control
LOADING AID feature: water and rotation control
CE and WRAS approved product. Option ETL

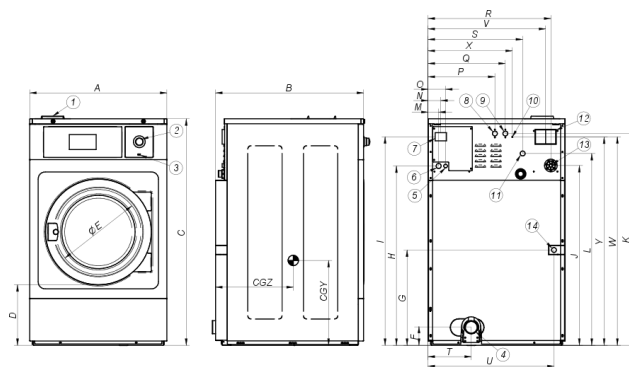


OPTIONS

- Double drain
- External double drain 3" (recommended for DHU-25)
- Drain pump for models DHU-25 and DHU-30
- Normally closed valve
- Water RE-CYCLE: recirculation of bath water
- Levelling feet
- Auto Weight: automatic weighing sensor system on feet (Includes kit with 6 extra dosing signals)
- Relay card with 6 extra dosing signals: up to 14 signals
- Printer
- DomusConnect communication
- Silicone gasket for models DHU-25 and DHU-30
- Reversible door opening
- Steam kit to transform an E or HW heated machine into steam version
- Plinth to level all machines from top
- Plinth to align loading height (door base at 850mm)
- Stainless steel AISI 304 outer casing
- Stainless steel AISI 304 front panel
- Maritime voltage for electric models: 440V III 50/60 Hz No neutral
- Coin/token kit
- Delayed door opening in case of power outage

TECHNICAL DATA	UNIT.	DHU - 25 TOUCH II	DHU - 30 TOUCH II	DHU - 40 TOUCH II			
DRUM							
Load capacity	lb	25	30	40			
Volume	CU.FT	3.5	4.6	6			
Diameter	in	20.90	24.40	27.55			
Depth		16.73	16.92	18.50			
GENERAL DETAILS							
Washing speed / Spining speed	r.p.m.	50/1.231	50/1.138	47/1.071			
G Factor	-	450	450	450			
Maximum force transmitted	KN	2,08 ±0,75	2,49 ±1,05	3,41 ±1,4			
Frequency-dynamic force	Hz	16,7	16,7	16			
Noise level	dB	<70	<70	<70			
Coin laundry version	-	Yes	Yes	Yes			
Double drain	-	Opt (external)	Opt	Opt			
Weighing System / Tilting System	-	Opt/No	Opt/No	Opt/No			
DOOR							
Height center door / Height door	in	24.80/14.56	27.56/17.32	30.12/17.71			
Diameter	ln	14.68	14.68	18.11			
POWER							
Motor	HP	1,00	1,48	2,95			
Electric heating power	kW	6	9	12			
Total electric power (electric model)	kW	6,25	9,4	12,75			
Total electric power (hw, steam model)	kW	0,75	1,1	2,2			
CONNECTIONS		ELECTRIC	STEAM / HOT WATER	ELECTRIC	STEAM / HOT WATER.	ELECTRIC	STEAM / HOT WATER.
Tension 230V - I + N + T	Nº x mm2 / A	3 x 4 / 32A	3 x 1,5 / 6A	3 x 10 / 50A	3 x 1,5 / 10A	3 x 16 / 63A	3 x 1,5 / 10A
Tension 230V - III + T	Nº x mm2 / A	3 x 2,5 / 20A	-	3 x 4 / 25A	-	3 x 6 / 40A	-
Tension 400V - III + N + T	Nº x mm2 / A	3 x 1,5 / 10A	-	3 x 1,5 / 16A	-	3 x 2,5 / 20A	-
Steam inlet (Steam model)	inch	1/2"		1/2"		1/2"	
Maximum steam consumption (Steam model)	lbs/h	15.5		18.8		26.5	
Water inlet	inch	3/4"		3/4"		3/4"	
Water main pressure	Kgs/cm ²	2-4		2-4		2-4	
Maximum water consumption*	Gal/h	18.86		23.45		31.25	
Drain	inch	3"		3"		3"	
Drainage capacity	Gal/min	52.8		52.8		52.8	
DIMENSIONS / PACKING DIMENSIONS							
Net Width / Gross Width	in	27.36/28.74		31.02/32.68		34.80/36.61	
Net Depth / Gross Depth	in	31.02/39.37		34.21/39.76		35.95/40.55	
Net Height / Gross Height	in	46.65/55.79		51.46/61.42		55.71/66.93	
Net weight / Gross weight	lb	507/526.90		551.16/623.91		793.66/866.42	
Volume	ft3	36.37		48.26		57.56	

* Nº20 Program, 75% load



- 1 SOAP DISPENSER
- 2 EMERGENCY STOP
- 3 USB PORT
- 4 DRAIN
- 5 ELECTRIC CONNECTION TO LIQUID SOAP PUMPS
- 6 ELECTRICAL CONNECTION
- 7 MAIN SWITCH
- 8 AUXILIAR WATER INLET
- 9 HOT WATER INLET
- 10 EQUIPOTENTIAL CONNECTION
- 11 COLD WATER INLET
- 12 BLUR OUTPUT / WATER OVERLOAD
- 13 LIQUID SOAP CONNECTION
- 14 STEAM CONNECTION

	A	B	C	D	E	F	G	H	I	J	K	L	M	N	O	P	Q	R	S	T	U	V	W	X	Y	CGY	CGZ
DHU-25	27,24	31,02	46,65	14,57	14,69	4,92	13,94	35,94	42,72	36,06	43,31	38,78	2,40	2,91	3,98	12,44	14,61	24,02	17,64	8,90	24,65	22,83	42,52	18,15	45,08	16,69	22,72
DHU-30	31,02	34,21	51,46	17,32	14,69	9,57	15,16	40,71	47,32	40,83	48,07	43,54	2,40	2,91	3,98	15,16	17,52	27,80	21,42	9,57	28,27	26,61	47,32	19,09	47,28	17,72	25,63
DHU-40	34,80	35,94	55,71	17,72	18,11	3,74	14,96	44,69	51,30	44,80	52,05	47,52	2,40	2,91	3,98	16,89	20,04	31,57	25,20	13,70	32,05	30,39	51,30	22,40	51,06	18,27	27,64